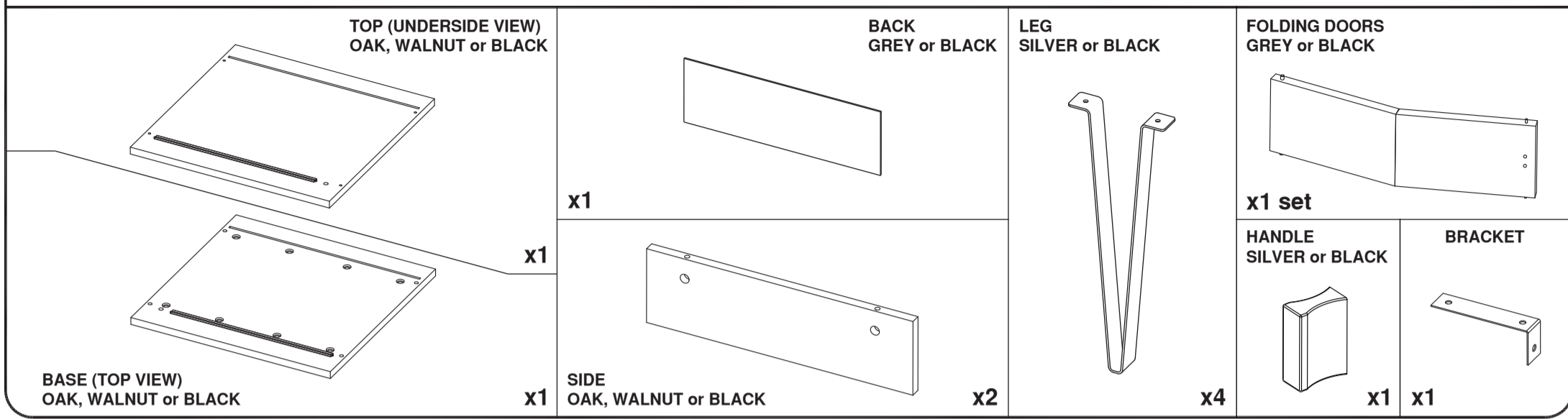


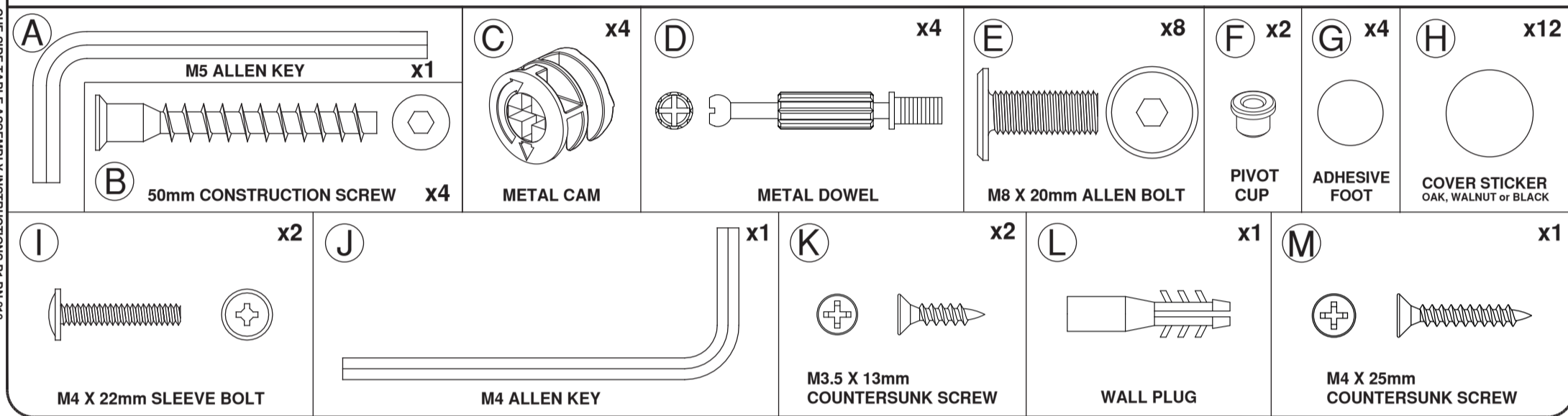
# Assembly Instruction - Chevron Side Table

## USE THESE PICTURES TO IDENTIFY THE PARTS IN THIS PACK



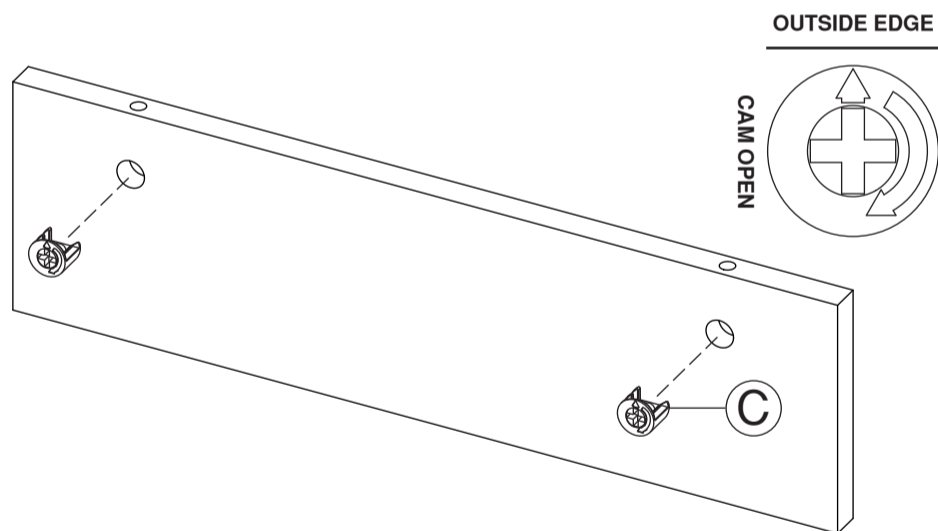
## FIXINGS TO ASSEMBLE THE TELEVISION STAND

SCALE 1 : 1

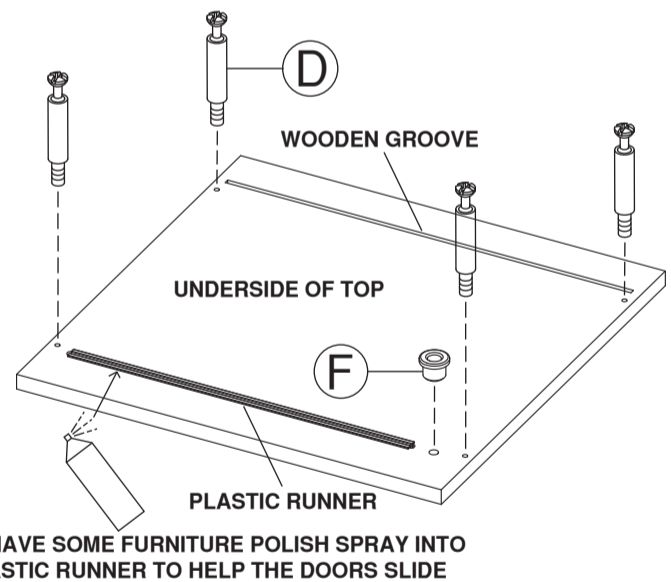


**IMPORTANT NOTES :** DO NOT USE ANY OTHER FIXINGS THAN THOSE PROVIDED. ASSEMBLE THE STAND ON A SOFT SURFACE WITH ANOTHER PERSON. KEEP THESE INSTRUCTIONS FOR FUTURE REFERENCE. DO NOT MOVE THE STAND BY USING THE TOP, FRAME OR SHELF. DO NOT STAND OR CLIMB ON THE TOP OR SHELF AS THIS COULD RESULT IN PERSONAL INJURY AND OR DAMAGE TO YOUR EQUIPMENT. DO NOT USE SOLVENTS FOR CLEANING. USE A DAMP CLOTH TO REMOVE ANY HANDLING OR PACKAGING MARKS. YOU WILL NEED A FLAT HEAD AND CROSS HEAD SCREWDRIVER DURING ASSEMBLY.

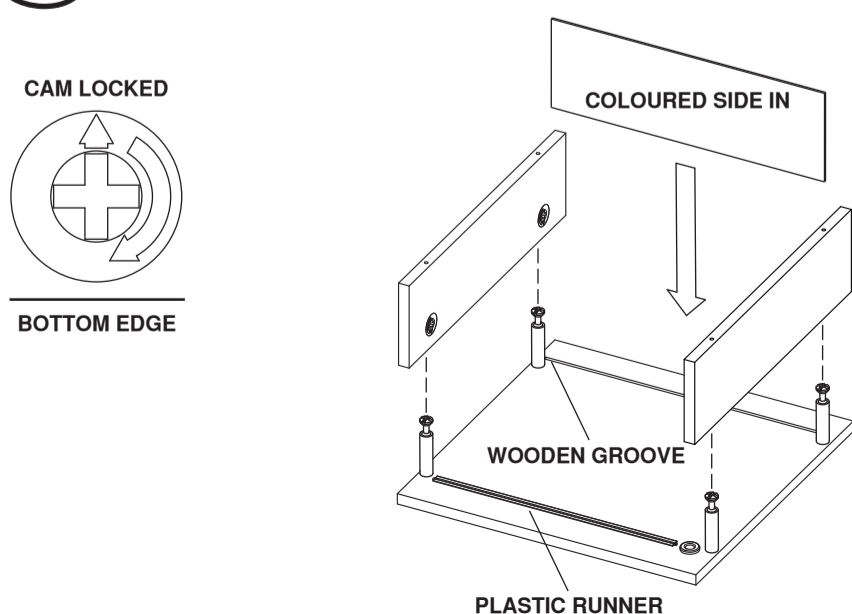
- 1** PUSH METAL CAMS C INTO THE SIDE PANELS.  
CHECK THE ARROWS ARE POINTING TO THE NEAREST OUTSIDE EDGE.



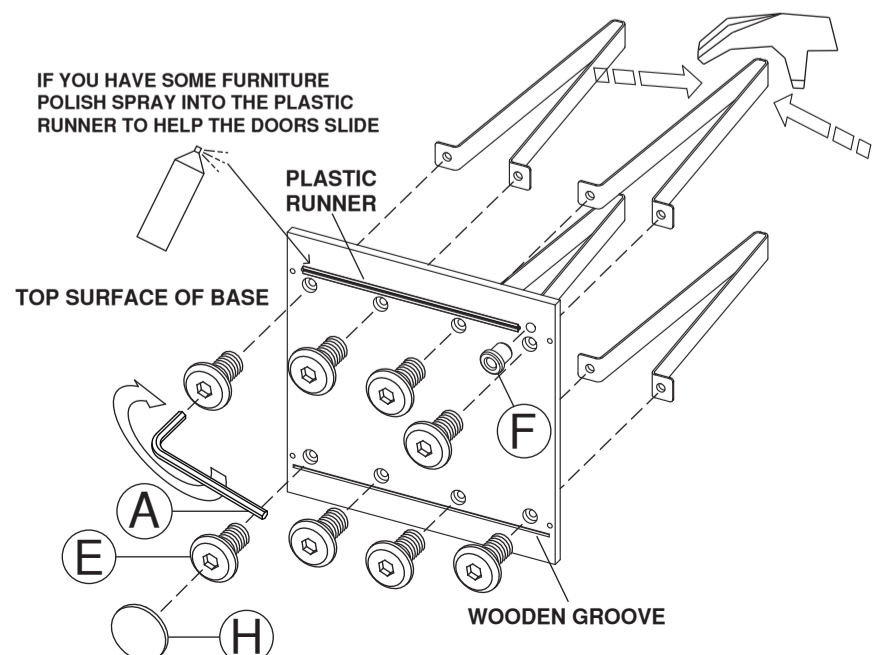
- 2** SCREW METAL DOWELS D INTO THE UNDERSIDE OF THE TOP.  
PUSH OR GENTLY TAP PIVOT CUP F INTO THE HOLES IN THE TOP WITH A HAMMER.



- 3** CAREFULLY SLOT THE SIDE PANELS ON TO THE TOP.  
CHECK THE METAL DOWELS FIT INTO THE HOLES IN THE EDGES.  
TURN THE METAL CAM TO THE LOCKED POSITION.  
SLIDE THE BACK PANEL BETWEEN THE SIDES AND SLOT INTO THE WOODEN GROOVE.

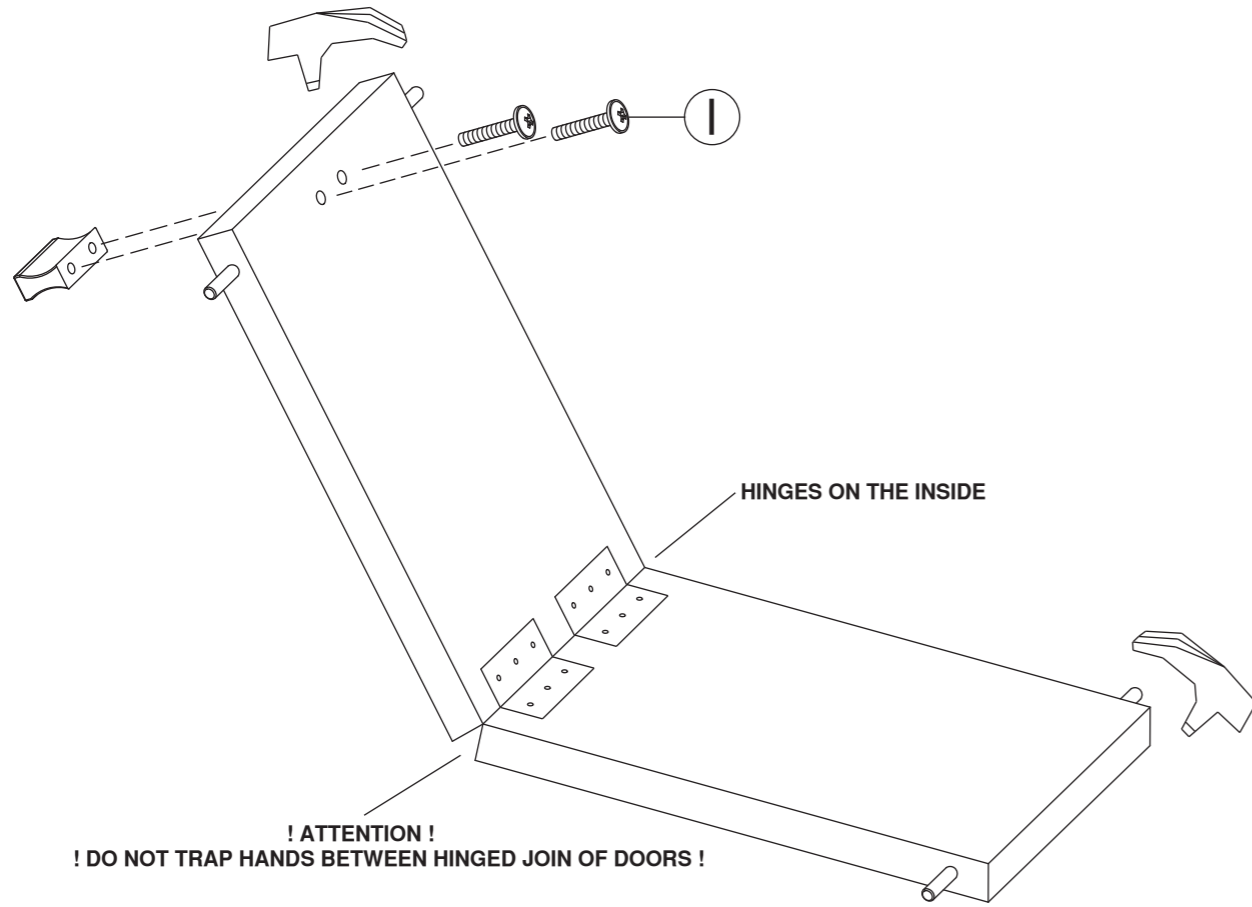


- 4** FIX THE LEGS TO THE BASE WITH THE BOLTS E WITH ALLEN KEY A. GENTLY SQUEEZE THE LEGS INWARDS TO ALIGN THE THREADED HOLES IN THE LEG WITH THE HOLES IN THE BASE. COVER THE BOLTS HEADS WITH THE MATCHING COVER STICKERS H. PUSH OR GENTLY TAP PIVOT CUPS F INTO THE HOLES IN THE BASE WITH A HAMMER.



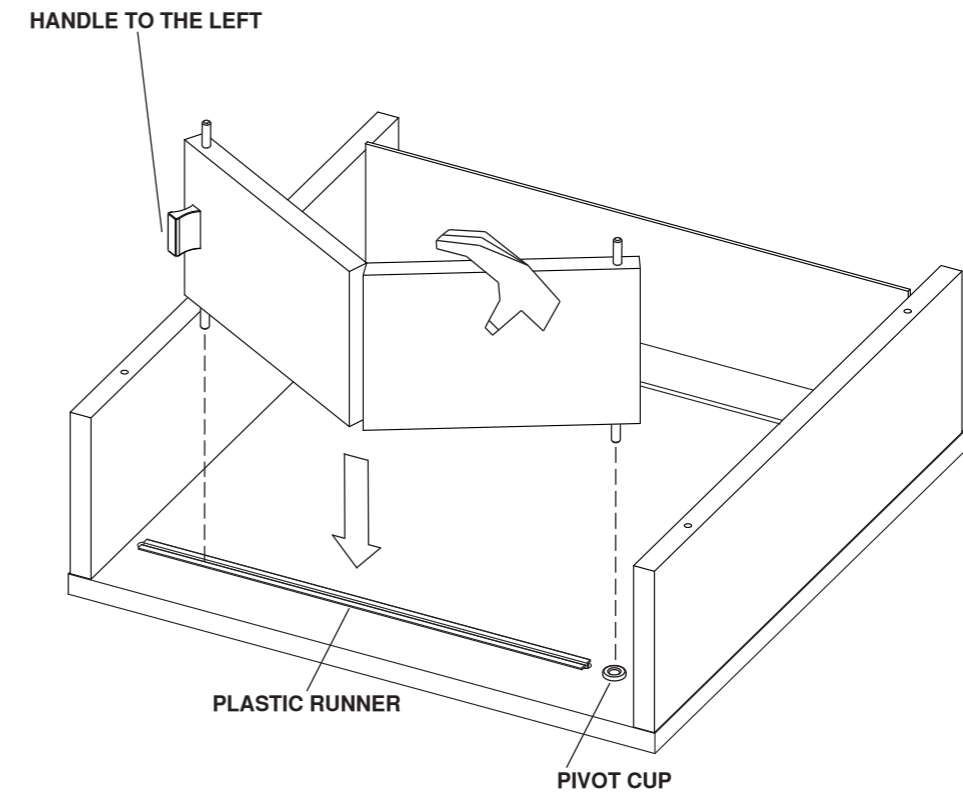
# 5

WITH HELP CAREFULLY HOLD THE FOLDING DOORS OPEN. SCREW THE HANDLE TO THE DOOR WITH BOLTS I.



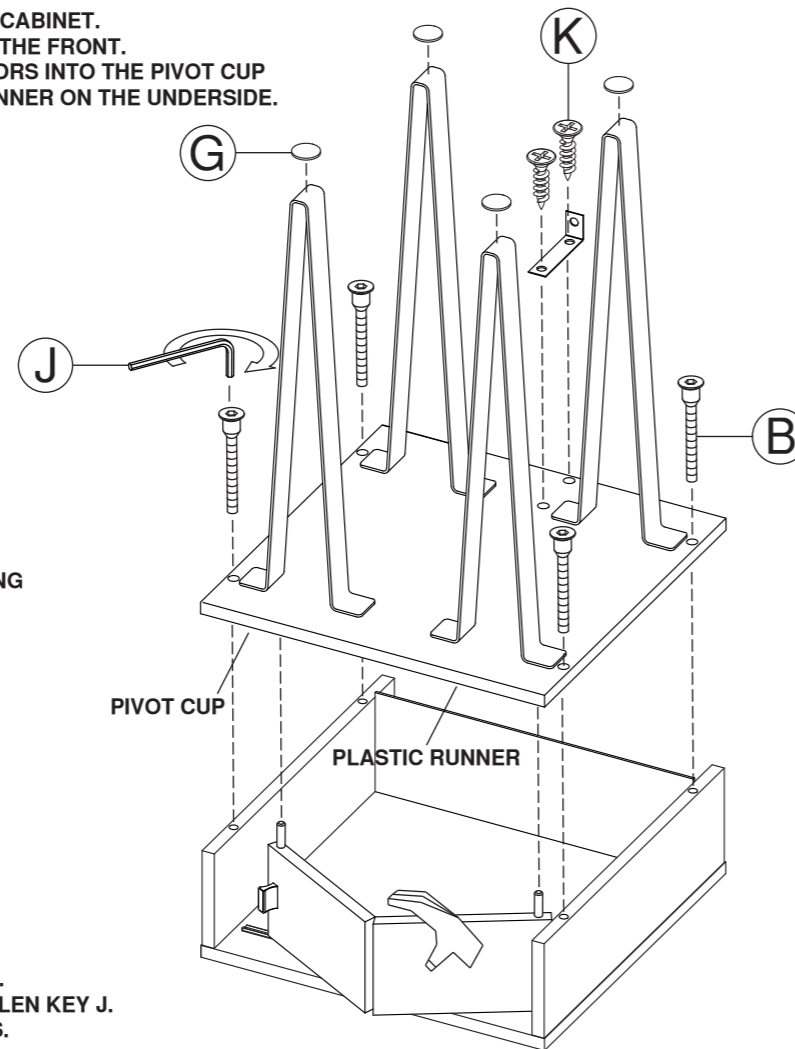
# 6

ROTATE THE CABINET ONTO ITS TOP WITH THE PLASTIC RUNNER AT THE FRONT. WITH HELP CAREFULLY LOWER THE FOLDING DOORS INTO THE CABINET. MAKE SURE THAT THE METAL PINS IN THE DOOR FIT INTO THE HOLE IN THE PIVOT CUP AND THE SLOT IN THE PLASTIC RUNNER. BE CAREFUL NOT TO TRAP YOUR HANDS.



# 7

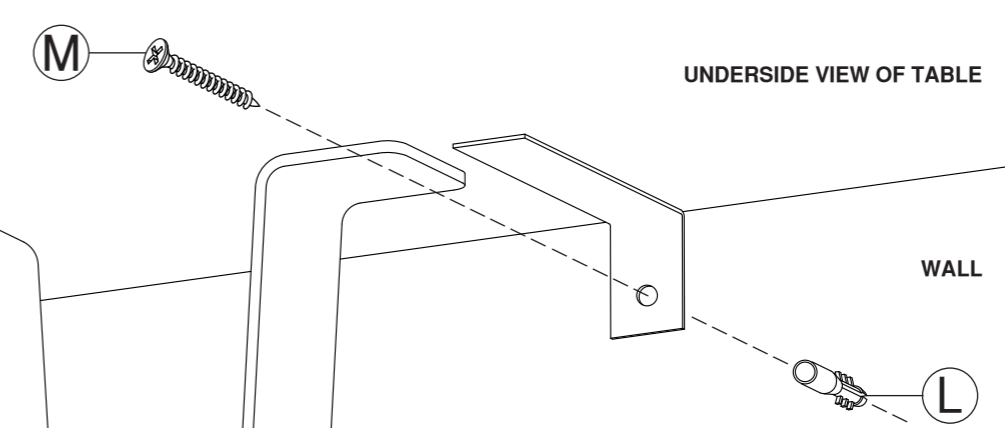
WITH HELP LOWER THE BASE ONTO THE CABINET. MAKE SURE THE PLASTIC RUNNER IS AT THE FRONT. FIT THE METAL PINS IN THE FOLDING DOORS INTO THE PIVOT CUP HOLE AND THE SLOT IN THE PLASTIC RUNNER ON THE UNDERSIDE.



ONLY FIX THE BRACKET WITH SCREWS K TO THE BASE IF YOU INTEND ON SECURING THE TABLE TO YOUR WALL.

BE CAREFUL NOT TO TRAP YOUR HANDS. FIX THE BASE WITH SCREWS B USING ALLEN KEY J. STICK ADHESIVE FEET G ONTO THE LEGS.

# 8



IF YOU WISH TO SECURE THE TABLE TO YOUR WALL USE WALL PLUG L AND SCREW M. YOU WILL NEED TO DRILL A HOLE IN YOUR WALL. IF YOU HAVE NO EXPERIENCE OF DOING THIS PROCEDURE BEFORE THEN PLEASE SEEK PROFESSIONAL ASSISTANCE AND ADVICE.