





Origin

The Origin range integrates beautifully with any make and model of TV. Discreet and elegant it looks superb from any angle, hanging the screen as if on a wall but without the need to modify your interior. The Origin is available in two heights for small or large TV's, in a wide variety of colours and real wood veneers. With screen swivel, further TV and shelf height adjustment you can position your TV and equipment to your own preference. You can also attach a sound bar with the optional sound bar bracket to complete your audio visual experience.





Origin Range

For Televisions
up to 32"

For flat panel televisions
with fixing centres from
10cm to 42cm wide



ORI S1 SILVER



ORI S1 BLACK



ORI S3 SILVER



ORI S3 BLACK



ORI S3 WHITE



ORI S3 OAK



ORI S3 CHERRY



ORI S3 WALNUT

Features

Adaptable:	Range fits any make and model of TV up to 52"
Complete Package:	No need for any brackets or fixings
No More Wires:	Hides all the clutter of cables and wires
Adjustable:	Adjustable TV and shelf height
Safety:	Safety glass with rounded edges
Extension Cable Supplied:	4 socket extension cable supplied
Cable Management:	Cable ties and cable mounts supplied
Space Saving:	Fits easily into corners or against walls
High Quality:	Extremely strong and beautifully finished

For televisions
32" to 55"

For flat panel televisions
with fixing centres from
10cm to 42cm wide



ORI S2 SILVER



ORI S2 BLACK



ORI S4 SILVER



ORI S4 BLACK



ORI S4 WHITE



ORI S4 OAK



ORI S4 CHERRY



ORI S4 WALNUT

Specifications

ORI S1 & S3 / ORI S2 & S4

Stand Dimensions S1 & S3 / S2 & S4:	H: 918/1081mm x W: 500mm x D: 585mm
Swivel Rotation:	20 Degrees each side
Fixing Hole Centre Width:	100mm to 420mm
Useable Shelf Space:	W: 400mm x D: 374mm
Shelf Safety Glass Thickness:	5mm
Max Shelf Loading:	10Kg per Shelf
Max TV Weight:	50Kg
Overall Weight:	22/25Kg
Box Dimensions:	H: 172mm x W: 932mm x D: 585mm

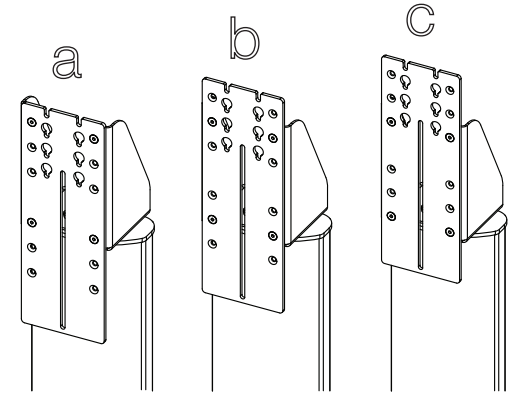
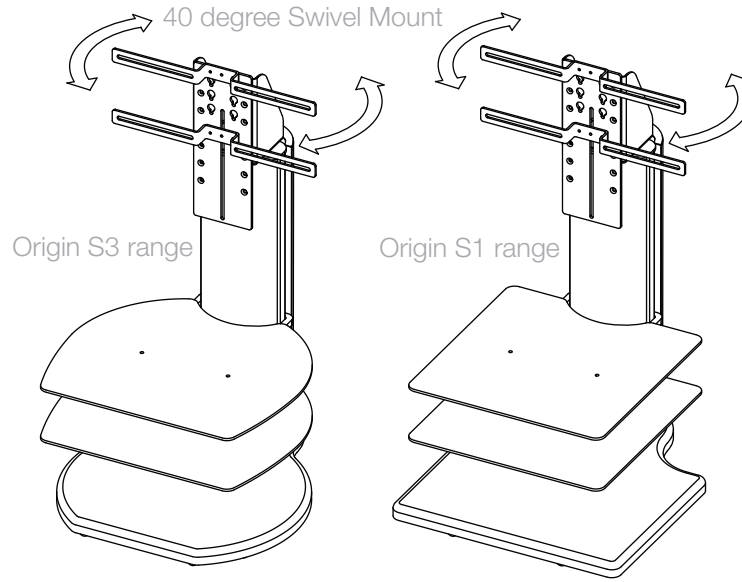
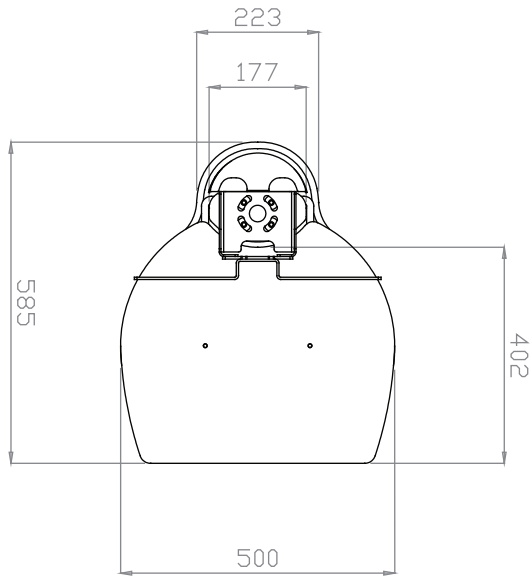


OPTIONAL SOUND BAR BRACKET

Origin S1 & S3 Dimensions

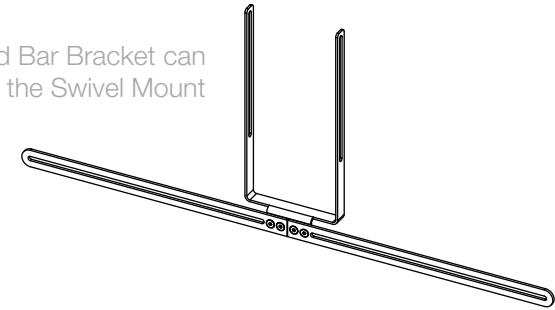
For televisions up to 32" with fixing centres 10cm to 42cm wide. Max TV weight 40kg.

Top



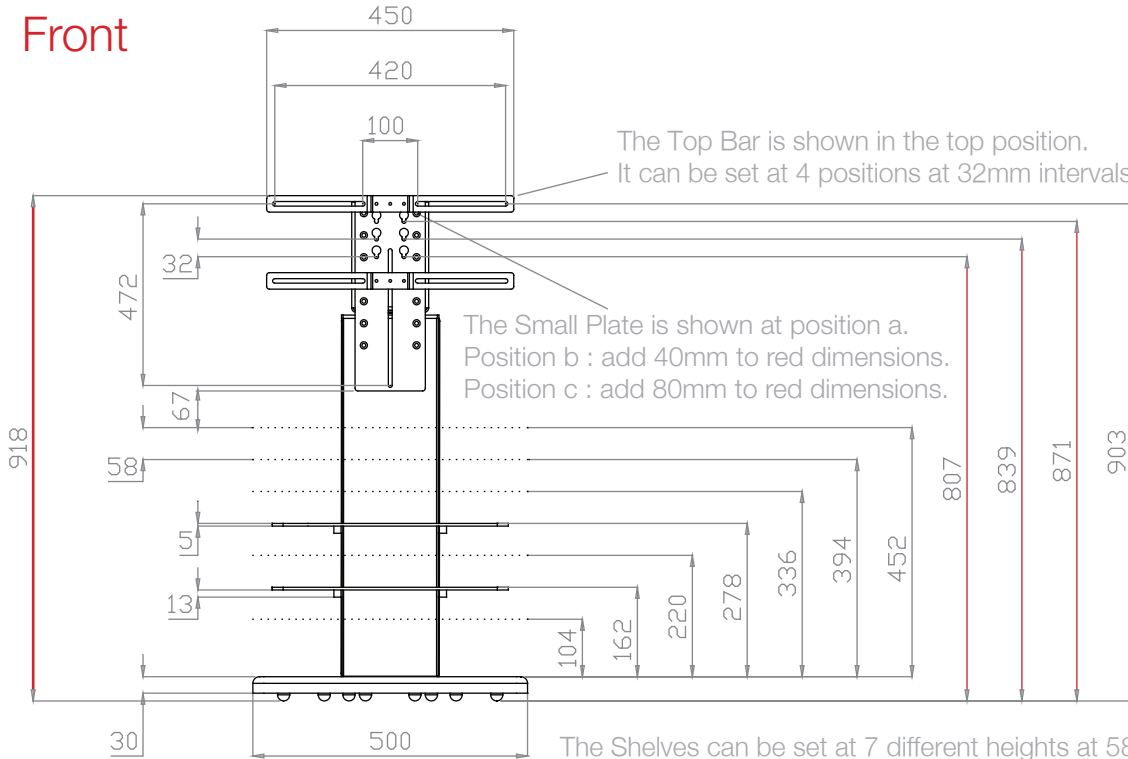
The Small Plate can be raised in height by 40mm each time

Optional Sound Bar Bracket can be attached to the Swivel Mount

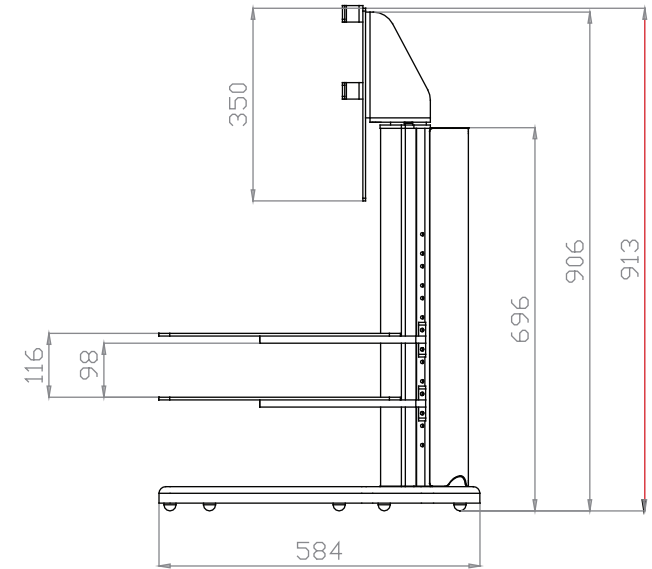


Overall base and shelf dimensions are the same for the S1 & S3 range

Front



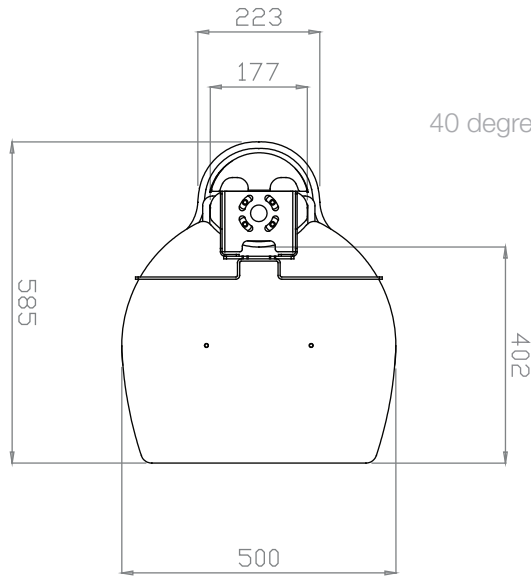
Side



Origin S2 & S4 Dimensions

For televisions from 37" up to 55" with fixing centres 10cm to 42cm wide. Max TV weight 40kg.

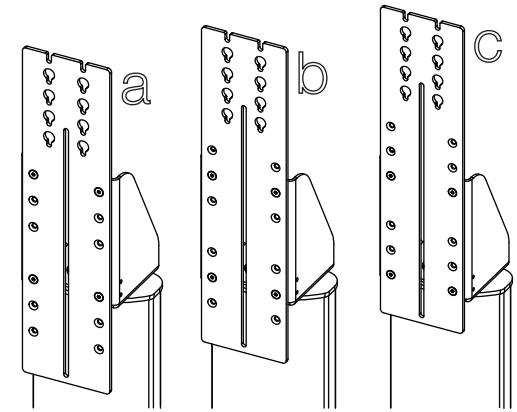
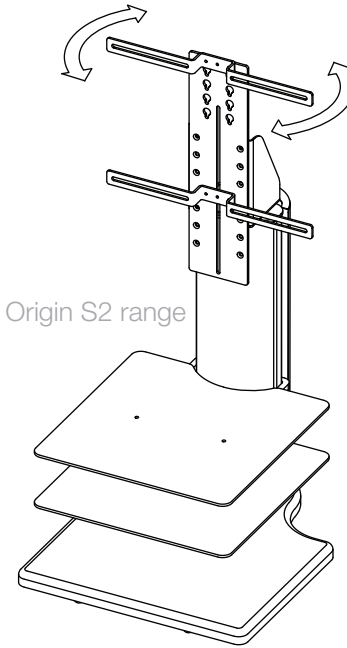
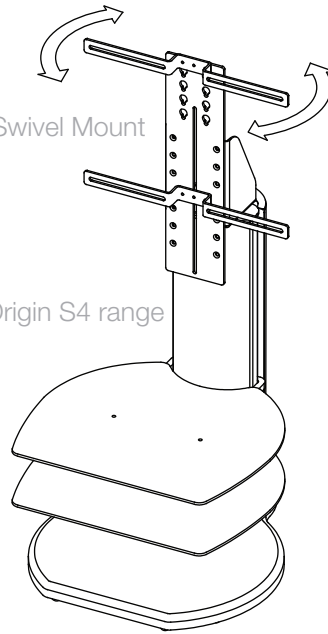
Top



40 degree Swivel Mount

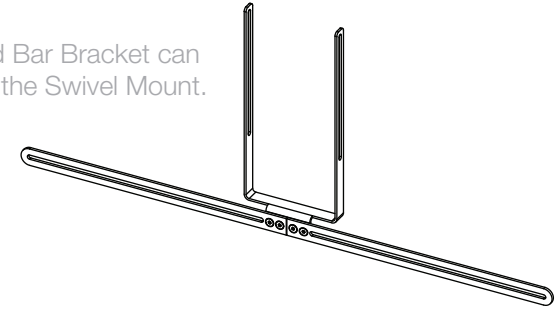
Origin S4 range

Origin S2 range



The Large Plate can be raised in height by 40mm each time.

Optional Sound Bar Bracket can be attached to the Swivel Mount.

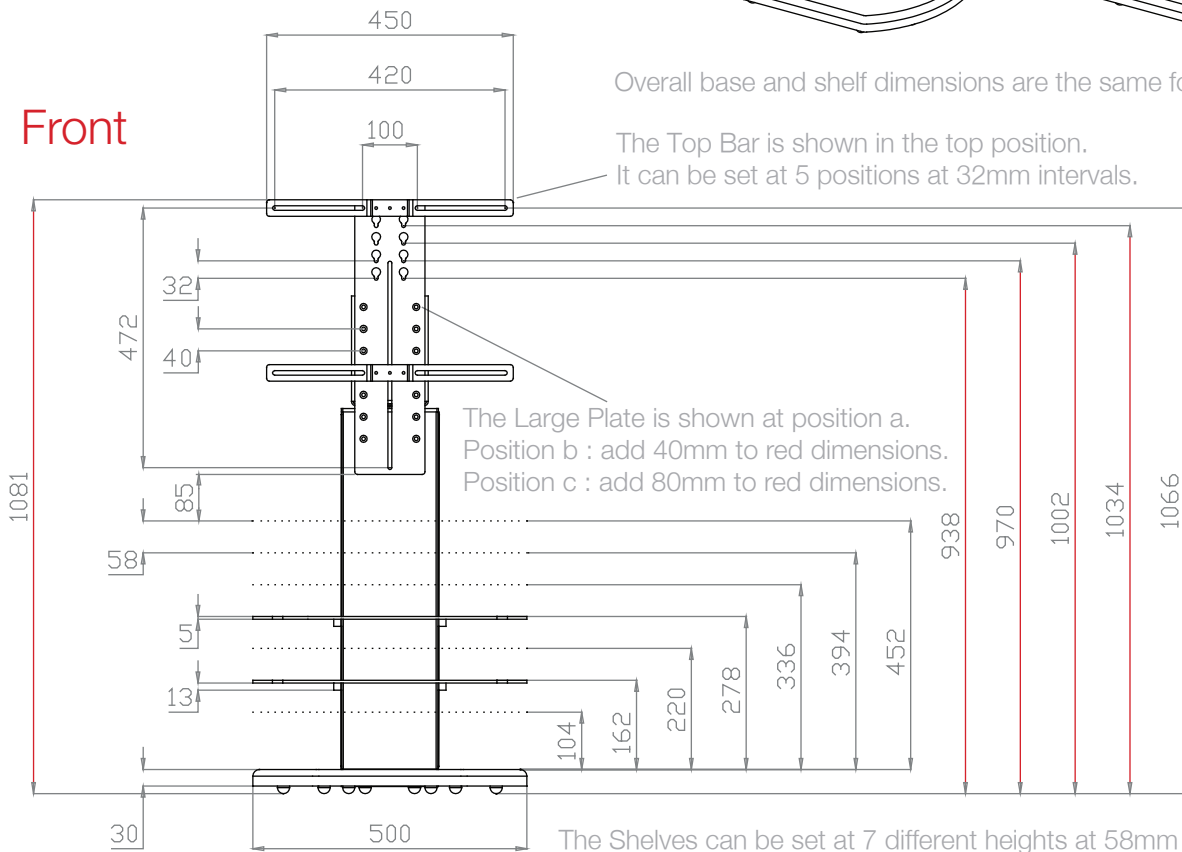


Front

Overall base and shelf dimensions are the same for the S2 & S4 range

The Top Bar is shown in the top position. It can be set at 5 positions at 32mm intervals.

The Large Plate is shown at position a. Position b : add 40mm to red dimensions. Position c : add 80mm to red dimensions.



The Shelves can be set at 7 different heights at 58mm intervals.

Side

