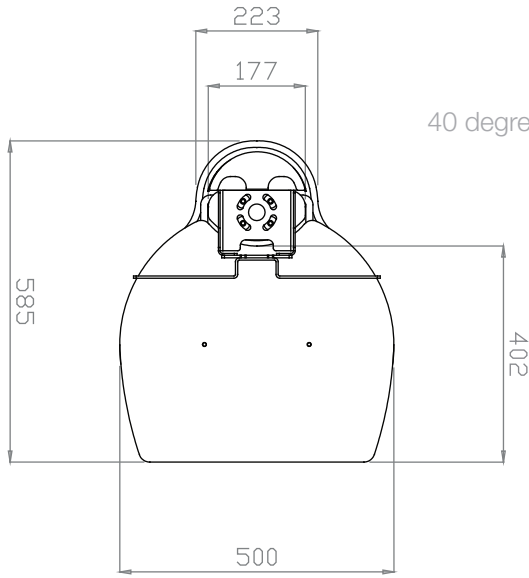


Origin S2 & S4 Dimensions

For televisions from 37" up to 55" with fixing centres 10cm to 42cm wide. Max TV weight 40kg.

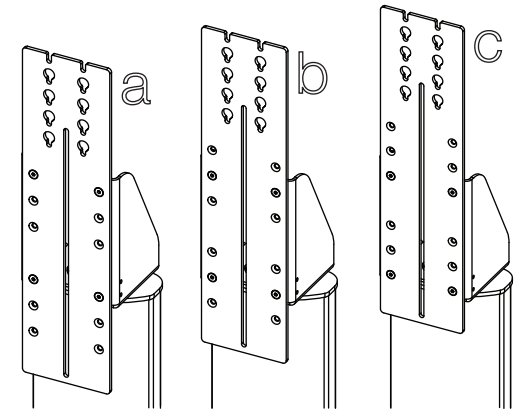
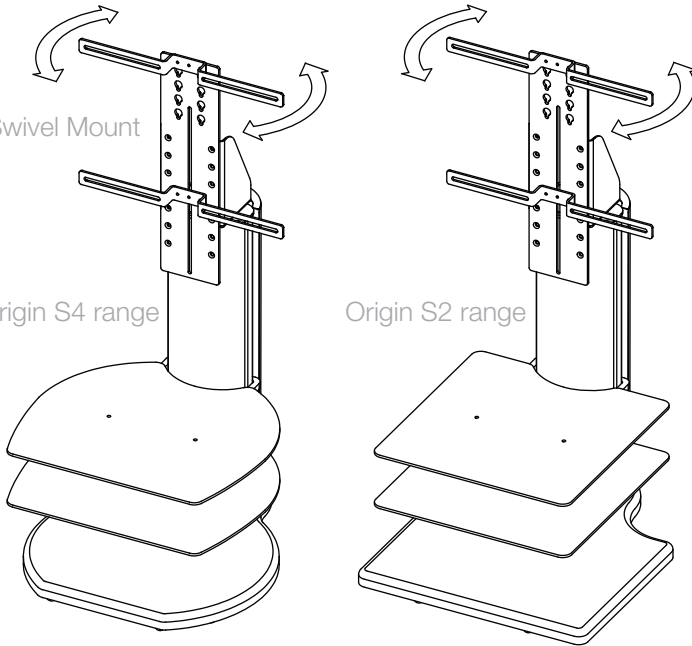
Top



40 degree Swivel Mount

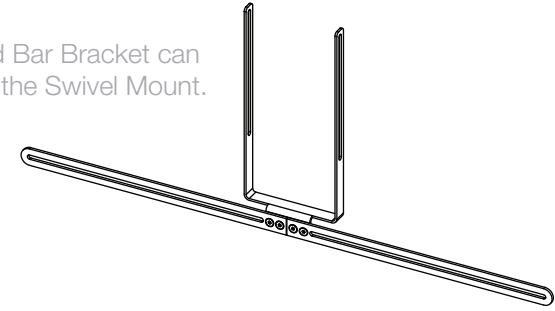
Origin S4 range

Origin S2 range

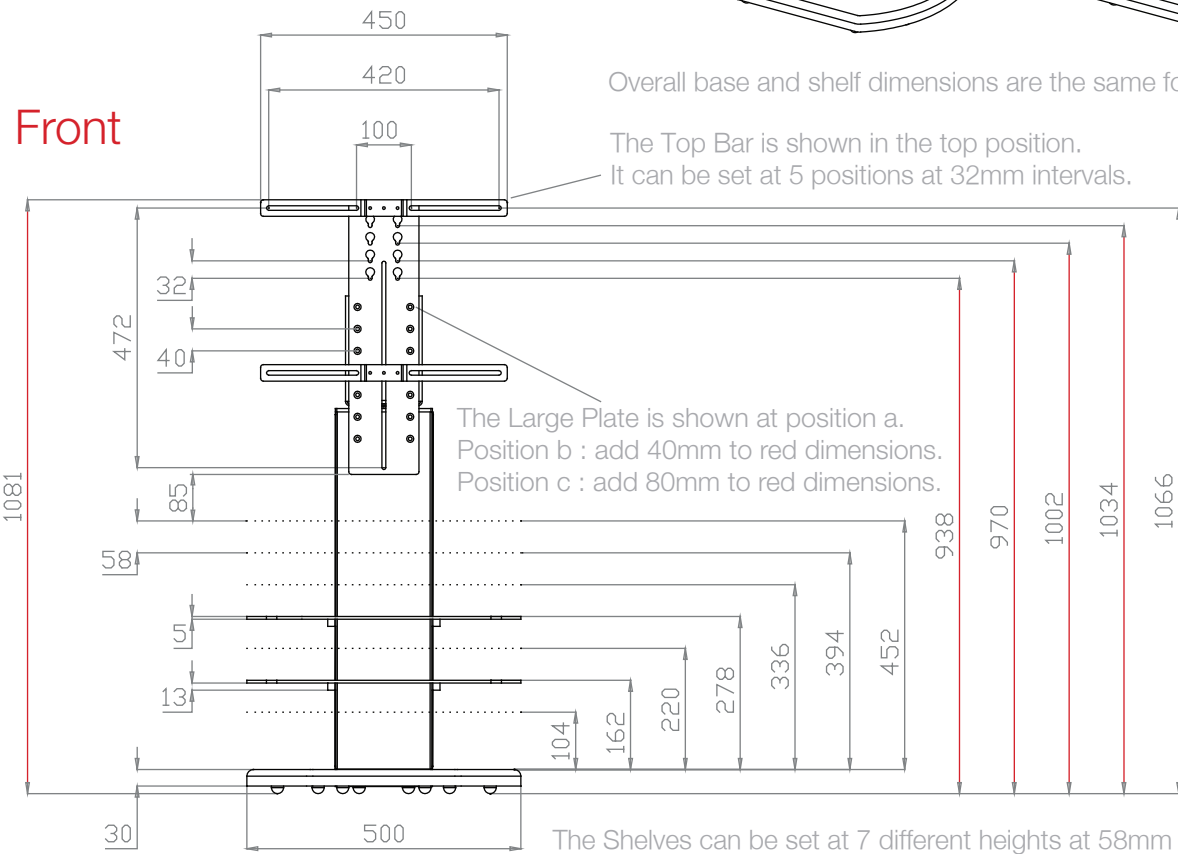


The Large Plate can be raised in height by 40mm each time.

Optional Sound Bar Bracket can be attached to the Swivel Mount.



Front



Overall base and shelf dimensions are the same for the S2 & S4 range

The Top Bar is shown in the top position.
It can be set at 5 positions at 32mm intervals.

The Large Plate is shown at position a.
Position b : add 40mm to red dimensions.
Position c : add 80mm to red dimensions.

The Shelves can be set at 7 different heights at 58mm intervals.

Side

