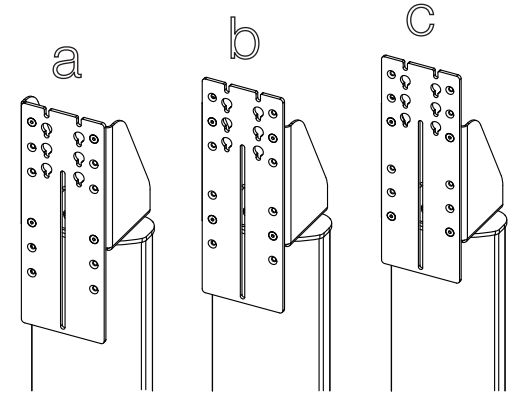
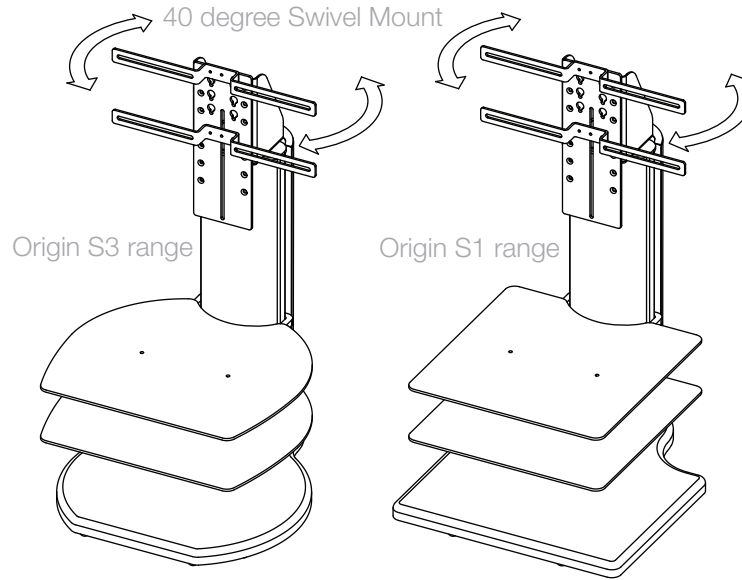
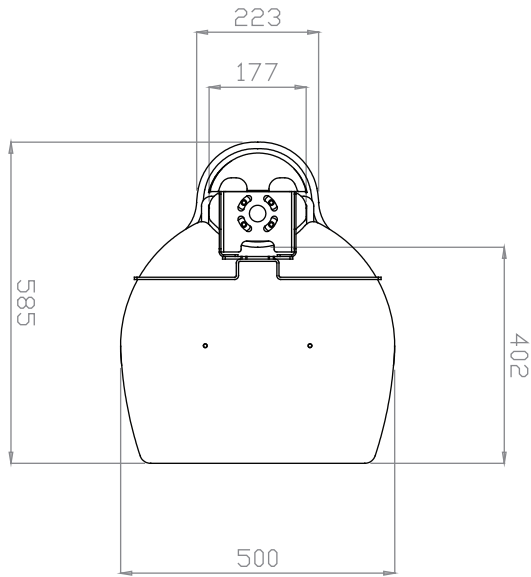


Origin S1 & S3 Dimensions

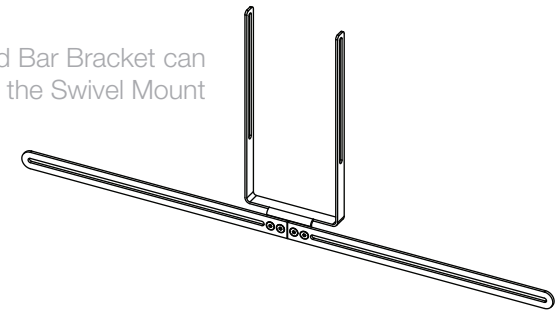
For televisions up to 32" with fixing centres 10cm to 42cm wide. Max TV weight 40kg.

Top



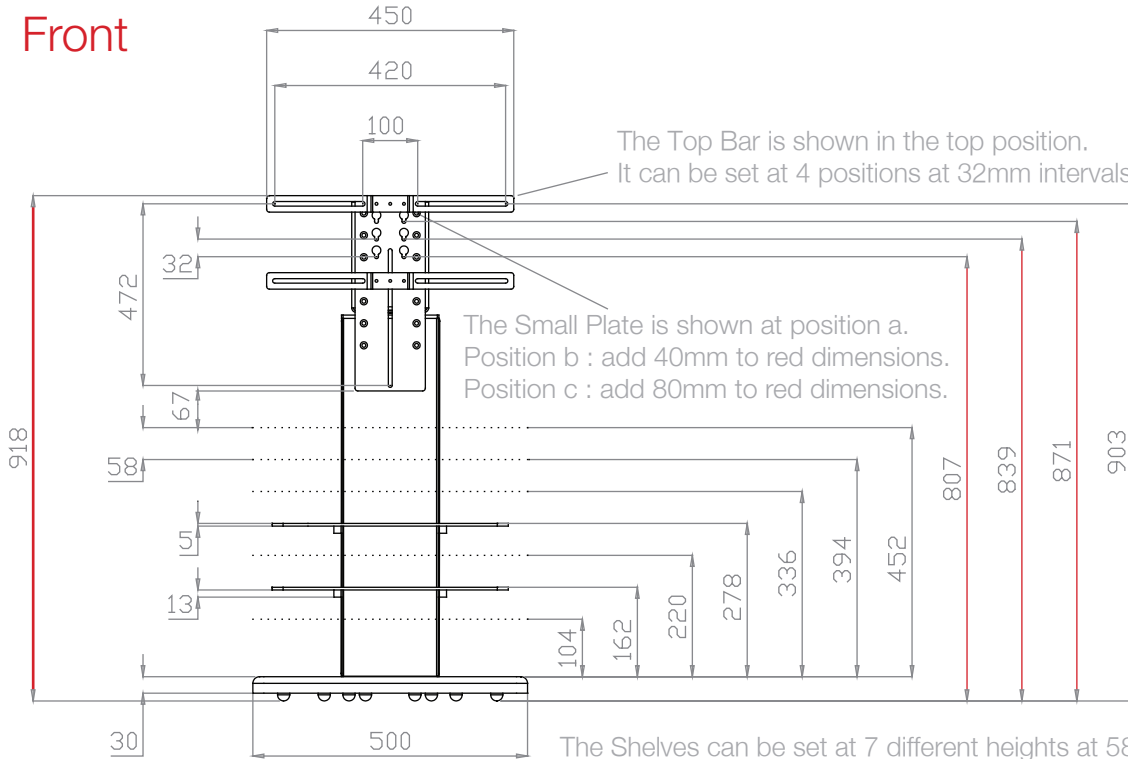
The Small Plate can be raised in height by 40mm each time

Optional Sound Bar Bracket can be attached to the Swivel Mount



Overall base and shelf dimensions are the same for the S1 & S3 range

Front



Side

